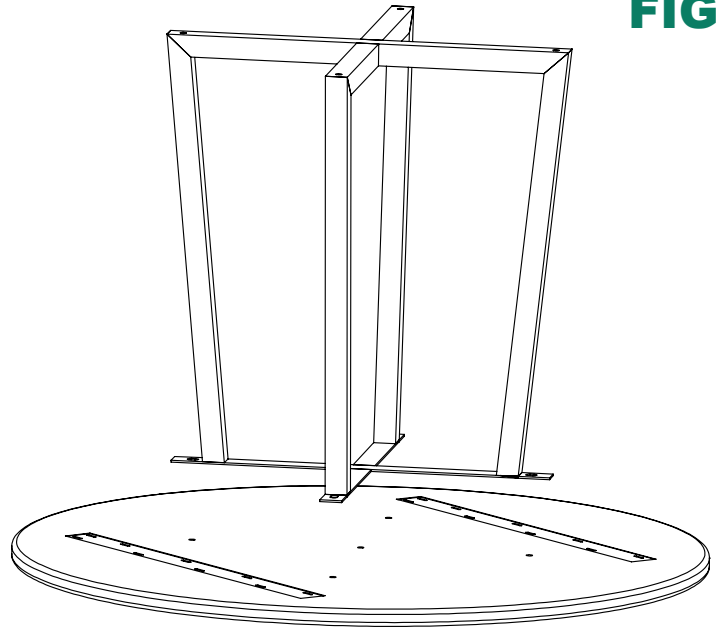


STEP 1

1. WITH SOMEONE HELP'S PLACE THE TOP IN TO CLEAN AND FLAT SURFACE, PLACE THE BASE ON THE TOP AND ALIGN THE BOTH HOLES AS SHOWN IN FIG.1

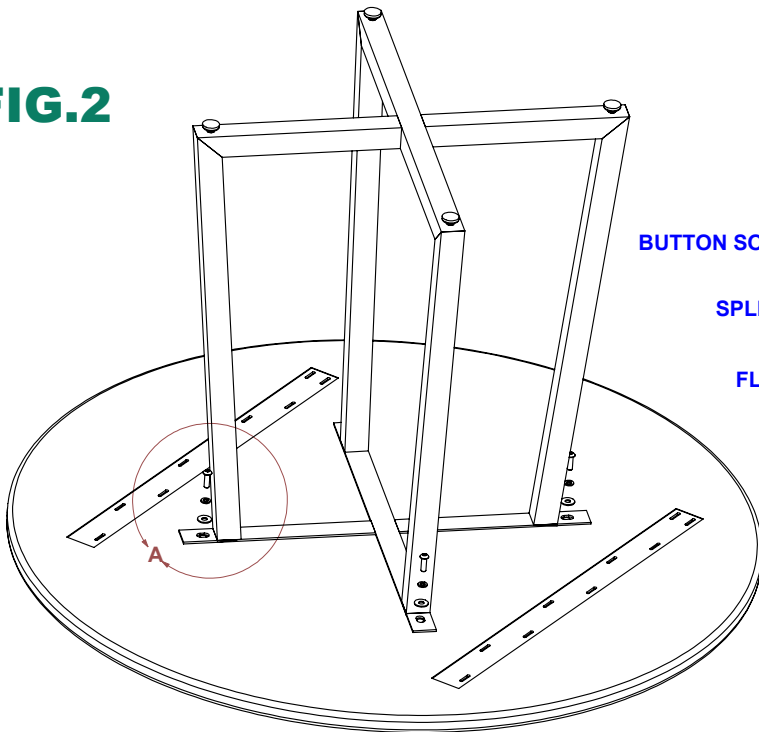
FIG.1



STEP 2

2. WHEN THE BASE AND THE TOP ARE TOGHETER INSERT THE SCREWS THROUGH THE HOLES. AS SHOWN IN THE PICTURE "A"

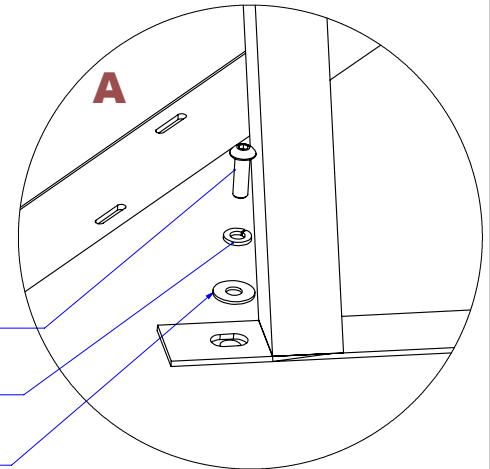
FIG.2



BUTTON SOCKET SCREWS 5/16 X 1"

SPLIT LOCK WASHER 5/16

FLAT WASHER 5/16 x 1"



DESCRIPTION	#
BUTTON SOCKET SCREWS 5/16 x 1	4
SPLIT LOCK WASHER 5/16	4
FLAT WASHER 5/16 X 1	4
ALLEN KEY 3/16	1

ITEM	DESCRIPTION	#
1TOR008	TORNILLO ALLEN 5/16 x 1	4
1RON003	RONDANA PLANA 5/16 X1	4
1RON011	RONDANA DE PRESION 5/16	4
1HER251	LLAVE ALLEN 3/16	1

ifd

INTERNATIONAL
FURNITURE DIRECT, LLC

CODIGO:

COLECCION: