

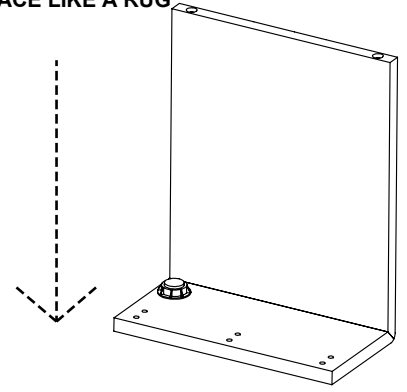
ASSEMBLY INSTRUCTIONS

THE IMAGES ARE FOR REFERENCE ONLY.

NOTE: TO PREVENT SCRATCHING THE TOP, ASSEMBLE THE TABLE ON A SOFT SURFACE LIKE A RUG

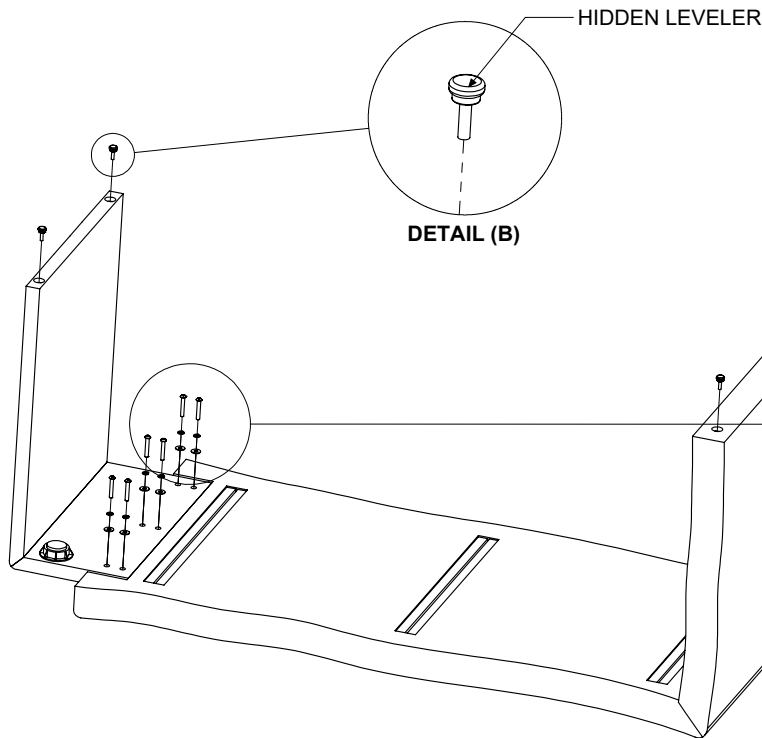
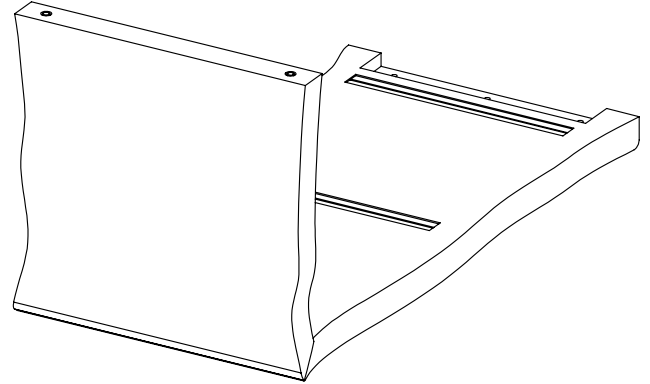
STEP 1: PREPARING THE TOP

PLACE THE TOP ON A CLEAN AND FLAT SURFACE TO EXPOSE THE MOUNTING HOLES. PLACE THE LEGS ALIGNING THEM WITH THE HOLES ON THE TOP.



STEP 2: SECURING THE BASE

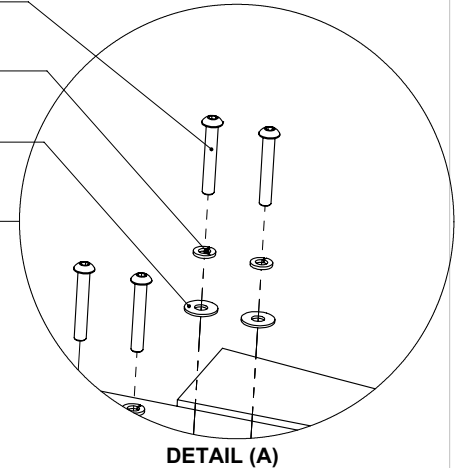
USING THE HARDWARE AS SHOWN IN DETAIL A, INSERT THE SCREWS INTO THE CORRESPONDING HOLES. ONCE ALL SCREWS ARE IN POSITION, FULLY TIGHTEN THEM USING THE 3/16" HEX KEY.



ALLOY BUTTON SOCKET CAP
SCREW 5/16 x 2"

LOCK WASHER 5/16"

FLAT WASHER 5/16"



STEP 3: FINAL PLACEMENT

WITH THE ASSISTANCE OF A HELPER, TURN THE TABLE UPRIGHT AND PLACE IT IN YOUR DESIRED LOCATION. ADJUST THE HIDDEN LEVELERS AT THE BOTTOM OF THE LEGS IF NECESSARY AS SHOWN IN DETAIL B. ASSEMBLY IS COMPLETE.



ITEM	#
ALLOY BUTTON SOCKET CAP SCREW 5/16 x 2"	6
LOCK WASHER 5/16"	6
FLAT WASHER 5/16"	6
HEX KEY 3/16"	1

I-DSK-E020