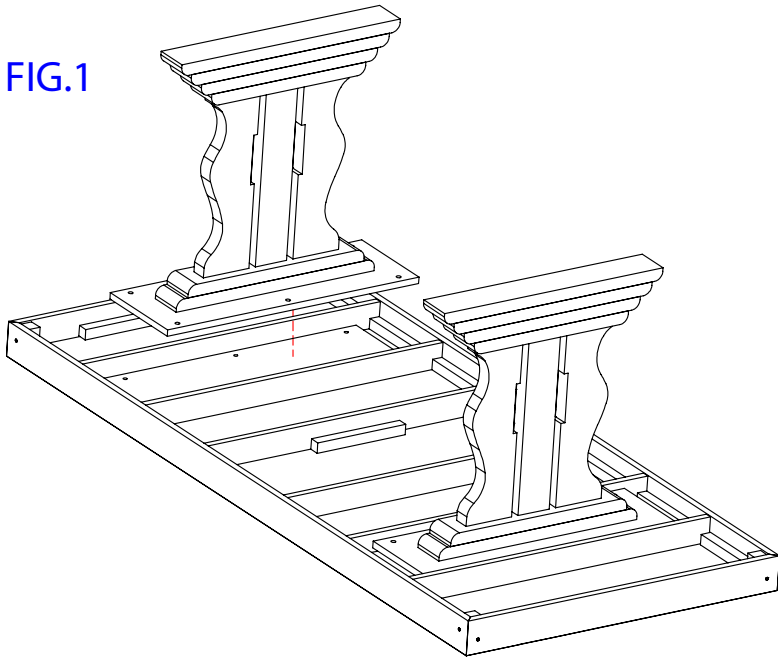


FIG.1



1. - PLACE THE TOP UPSIDE DOWN CAREFULLY ON A FLAT AND CLEAN SURFACE.
- 2.-PLACE THE LEGS IN THE TOP AND ALIGN WITH THE HOLES.
3. - THEN PLACE THE CROSSBAR IN THE MIDDLE TO THE LEGS AND INSERTING THE WEDGES AS SHOWN IN THE IMAGE, BY INSERTING THEM BY OPPOSITE SIDES.
- 4.-WHEN THE TABLE IS ASSEMBLED AND ALIGNED, INSERT THE BOLTS AND WASHER AS SHOWN IN FIG.A.

FIG.2

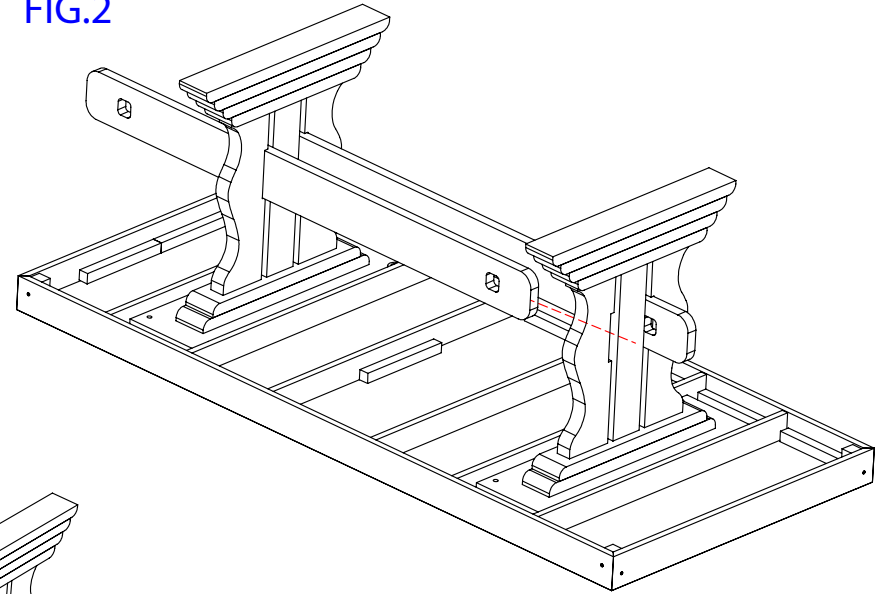


FIG.3

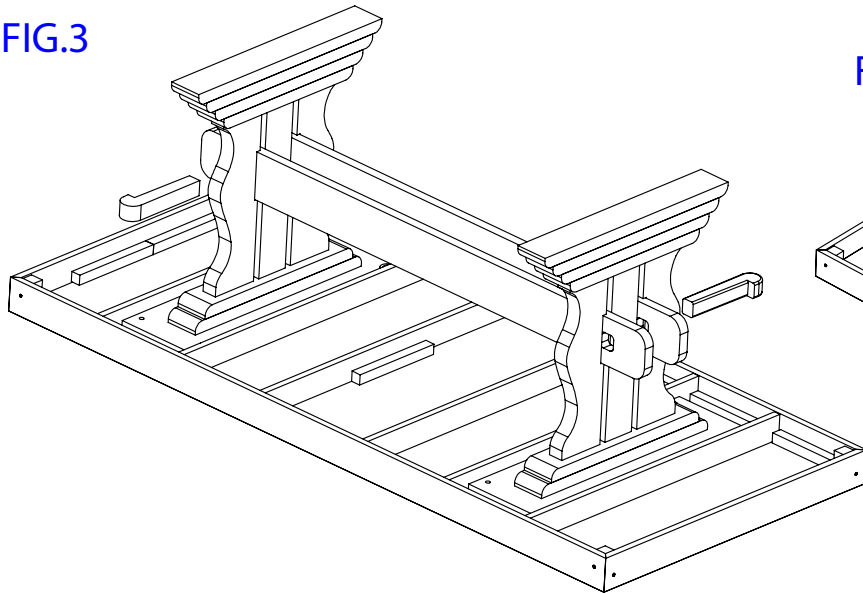
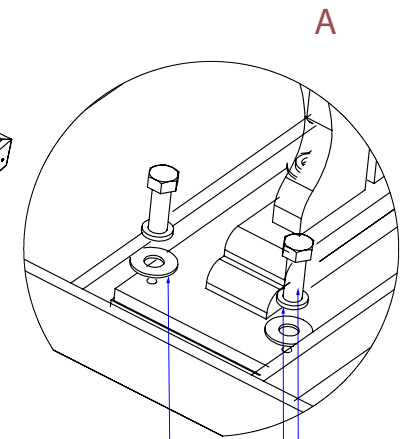
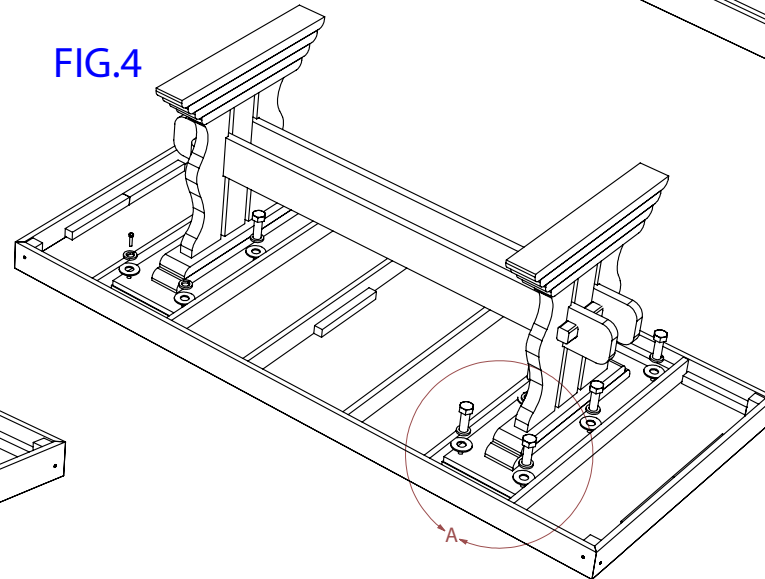


FIG.4



FLAT WASHER 5/16

LOCK WASHER 5/16

HEX BOLT 5/16 X 1-1/2"

ASSEMBLY INSTRUCTION

I-MIX-E002

DESCRIPTION	#
FLAT WASHER 5/16	12
LOCK WASHER 5/16	12
HEX BOLT 5/16 X 1-1/2"	12

