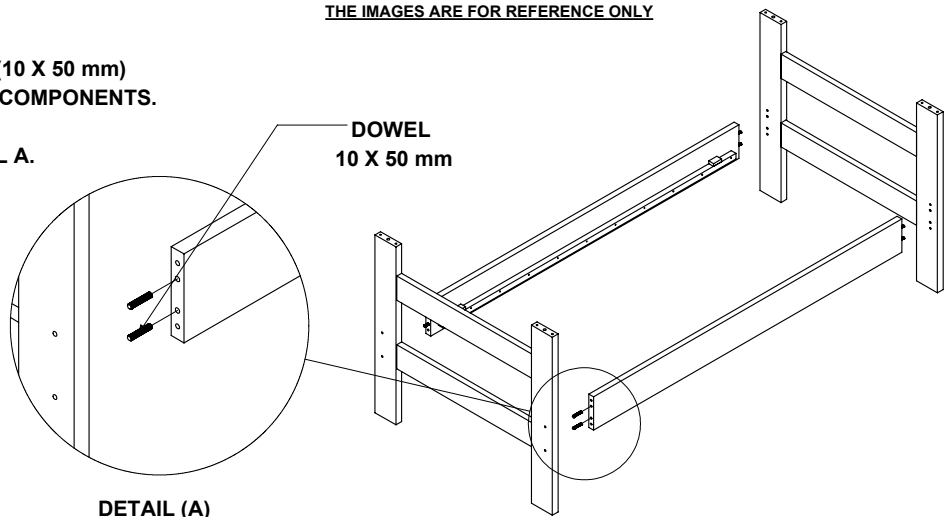


ASSEMBLY INSTRUCTIONS

STEP 1: DOWEL INSTALLATION

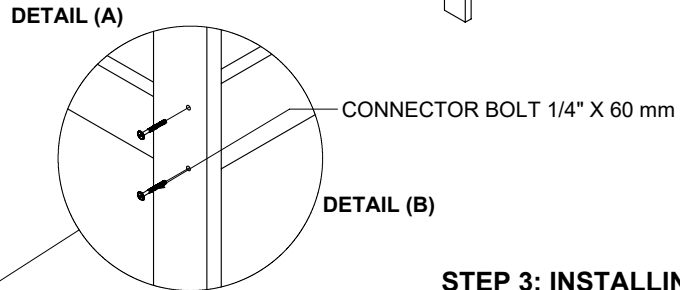
WITH TWO PEOPLE, INSERT THE WOODEN DOWELS (10 X 50 mm) INTO THE SIDE RAILS. NOTE: THESE ARE PRESS-FIT COMPONENTS. THEN, POSITION THE TWO HEADBOARDS, ALIGNING THE HOLES WITH THE DOWELS AS SHOWN IN DETAIL A.

THE IMAGES ARE FOR REFERENCE ONLY



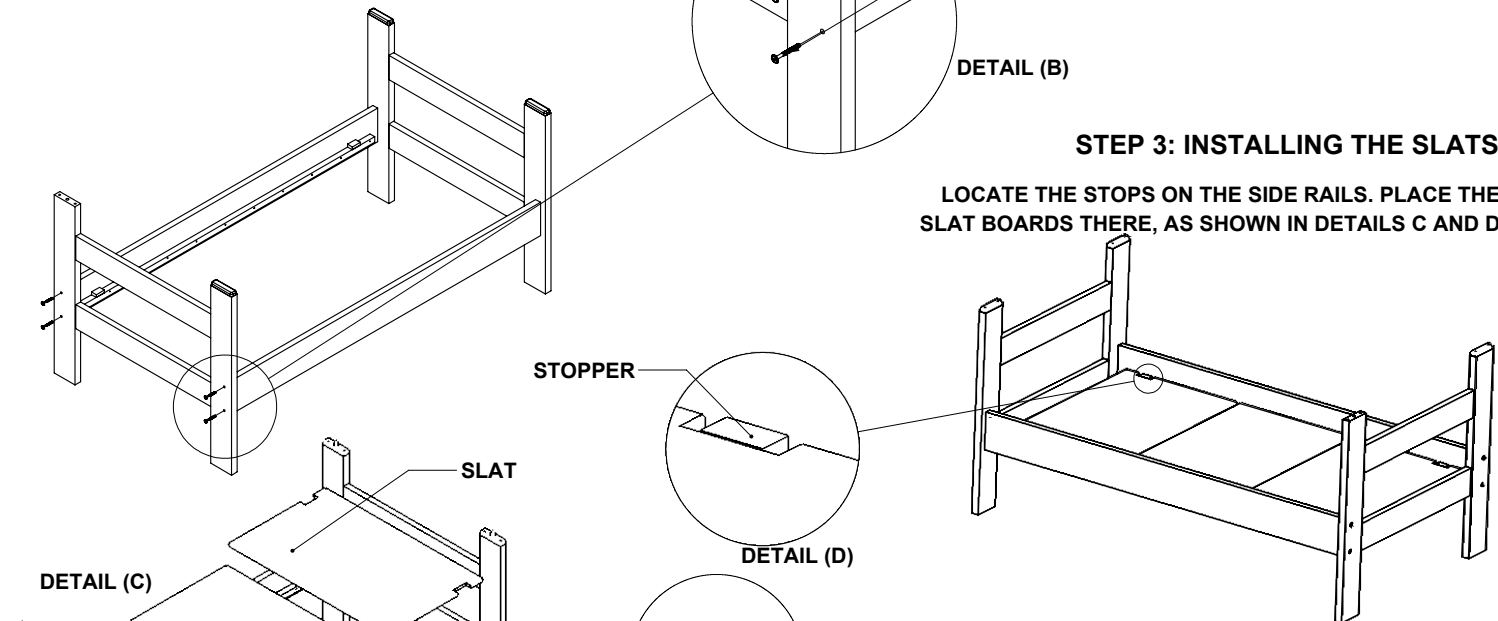
STEP 2: SCREW INSTALLATION.

ALIGN THE SIDE RAILS WITH THE FOOTBOARD HOLES. SECURE USING CONNECTOR BOLTS (1/4" X 60 mm) AS SHOWN IN DETAIL B.



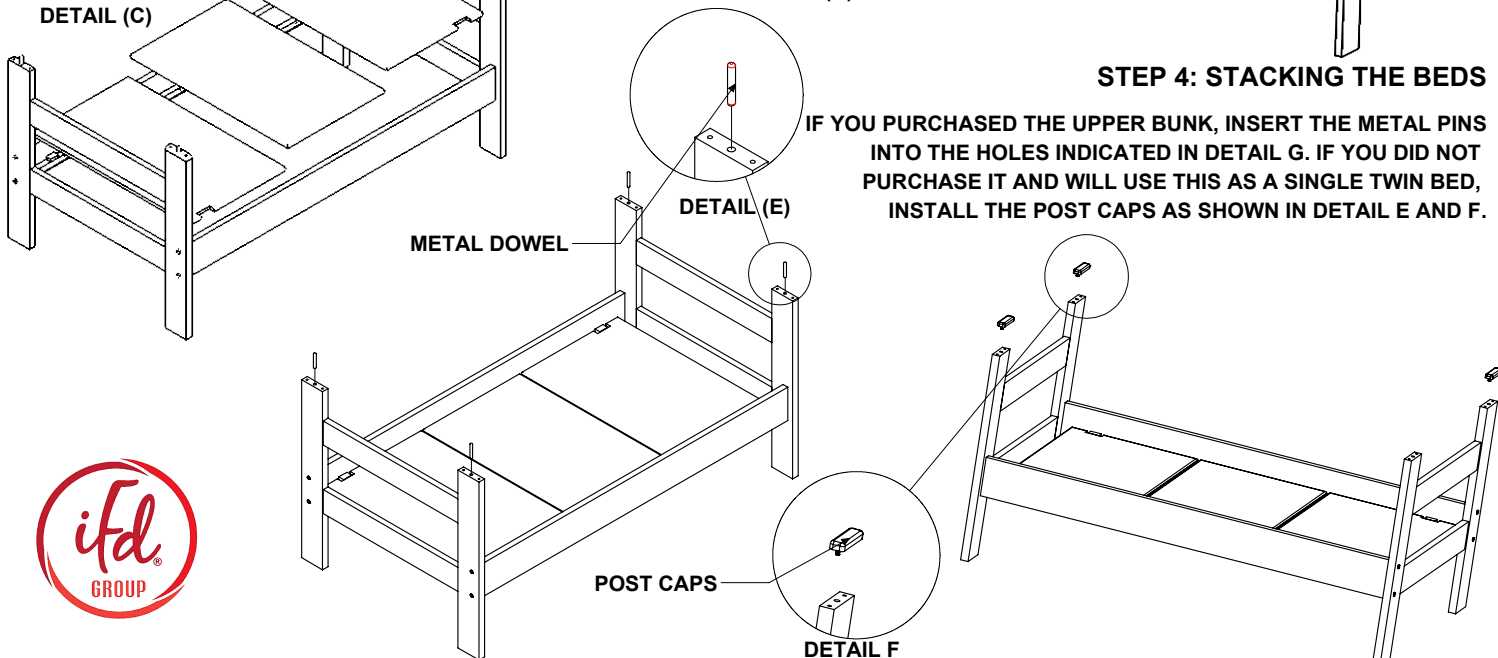
STEP 3: INSTALLING THE SLATS.

LOCATE THE STOPS ON THE SIDE RAILS. PLACE THE SLAT BOARDS THERE, AS SHOWN IN DETAILS C AND D.



STEP 4: STACKING THE BEDS

IF YOU PURCHASED THE UPPER BUNK, INSERT THE METAL PINS INTO THE HOLES INDICATED IN DETAIL G. IF YOU DID NOT PURCHASE IT AND WILL USE THIS AS A SINGLE TWIN BED, INSTALL THE POST CAPS AS SHOWN IN DETAIL E AND F.



IFD3731BNKTWBT

ASSEMBLY INSTRUCTIONS

IFD3731BNKFLTP	
ITEM	#
CONNECTOR BOLT 1/4" X 60 mm	14
DOWEL 10 X 50 mm	14
ALLOY BUTTON SOCKET CAP SCREW 1/4" X 3/4"	8
LOCK WASHER 1/4"	8
HEX KEY 5/32"	1
METAL DOWEL	4

IFD3731BNKFLBT	
ITEM	#
CONNECTOR BOLT 1/4" X 60 mm	8
DOWEL 10 X 50 mm	8
ALLOY BUTTON SOCKET CAP SCREW 1/4" X 3/4"	4
LOCK WASHER 1/4"	4
HEX KEY 5/32"	1
POST CAPS	4

IFD3731BNKTWTP	
ITEM	#
CONNECTOR BOLT 1/4 X 60 mm	14
DOWEL 10 X 50 mm	14
ALLOY BUTTON SOCKET CAP SCREW 1/4" X 3/4"	4
LOCK WASHER 1/4"	4
HEX KEY 5/32"	1
METAL DOWEL	4

IFD3731BNKTWBT	
ITEM	#
CONNECTOR BOLT 1/4" X 60 mm	8
DOWEL 10 X 50 mm	8
HEX KEY 5/32"	1
POST CAPS	4

IFD3732BNKTWTP	
ITEM	#
CONNECTOR BOLT 1/4" X 60 mm	14
DOWEL 10 X 50 mm	14
ALLOY BUTTON SOCKET CAP SCREW 1/4" X 3/4"	4
LOCK WASHER 1/4"	4
HEX KEY 5/32"	1
METAL DOWEL	4

WARNING / SAFETY GUIDELINES

- **MATTRESS SIZE:** USE ONLY A MATTRESS THAT IS 74" - 75" LONG AND 53½" - 54½" WIDE ON THE UPPER AND LOWER BUNKS. THE MATTRESS ON THE UPPER BUNK MUST NOT EXCEED 7 INCHES IN THICKNESS. ENSURE THAT THE TOP SURFACE OF THE MATTRESS IS AT LEAST 5 INCHES (127 mm) BELOW THE UPPER EDGE OF THE GUARDRAILS.
- **AGE RESTRICTION:** NEVER ALLOW A CHILD UNDER 6 YEARS OF AGE TO SLEEP OR PLAY ON THE UPPER BUNK. THE USE OF THE LOWER BUNK IS RECOMMENDED FOR CHILDREN 4 YEARS OF AGE AND OLDER.
- **WEIGHT CAPACITY:** THE MAXIMUM WEIGHT CAPACITY (INCLUDING MATTRESS AND OCCUPANT) IS 200 LBS (90 KG) PER BED. STRICTLY LIMIT THE USE OF THE UPPER BUNK TO A SINGLE OCCUPANT AT ALL TIMES.
- **STRANGULATION HAZARD:** NEVER ATTACH OR HANG ITEMS TO ANY PART OF THE BUNK BED THAT ARE NOT SPECIFICALLY DESIGNED FOR USE WITH THE BED; FOR EXAMPLE, BUT NOT LIMITED TO: HOOKS, BELTS, STRINGS, CORDS, AND JUMP ROPES.
- **FALL HAZARD:** ALWAYS USE THE PROVIDED LADDER TO ENTER AND EXIT THE UPPER BUNK.
- **GUARDRAILS:** ALWAYS USE GUARDRAILS ON BOTH LONG SIDES OF THE UPPER BUNK. IF THE BUNK BED WILL BE PLACED NEXT TO A WALL, THE GUARDRAIL THAT RUNS THE FULL LENGTH OF THE BED MUST BE PLACED AGAINST THE WALL TO PREVENT ENTRAPMENT BETWEEN THE BED AND THE WALL.
- **HORSEPLAY:** PROHIBIT HORSEPLAY ON OR UNDER THE BED(S) AND STRICTLY PROHIBIT JUMPING ON THE BED.
- **REPLACEMENT PARTS:** REPLACEMENT PARTS, INCLUDING ADDITIONAL GUARDRAILS, MAY BE OBTAINED FROM THE MANUFACTURER OR DEALER. DO NOT USE SUBSTITUTE PARTS.
- **WARNING LABELS:** FOLLOW THE WARNING INFORMATION THAT APPEARS ON THE UPPER BUNK END STRUCTURE AND ON THE PACKAGING. DO NOT REMOVE THE PERMANENT WARNING LABEL FROM THE BED.

