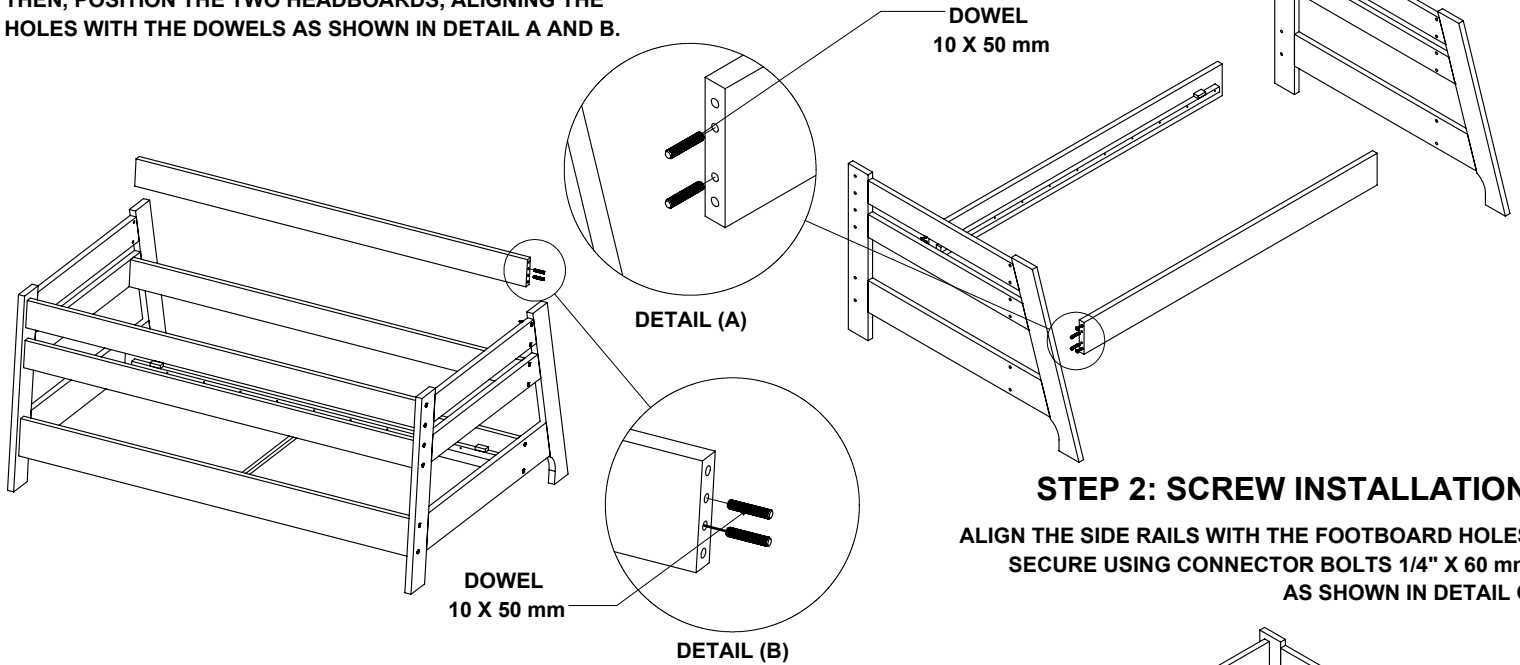


# ASSEMBLY INSTRUCTIONS

## STEP 1: DOWEL INSTALLATION.

WITH TWO PEOPLE, INSERT THE WOODEN DOWELS INTO THE SIDE RAILS. NOTE: THESE ARE PRESS-FIT COMPONENTS. THEN, POSITION THE TWO HEADBOARDS, ALIGNING THE HOLES WITH THE DOWELS AS SHOWN IN DETAIL A AND B.

*THE IMAGES ARE FOR REFERENCE ONLY*

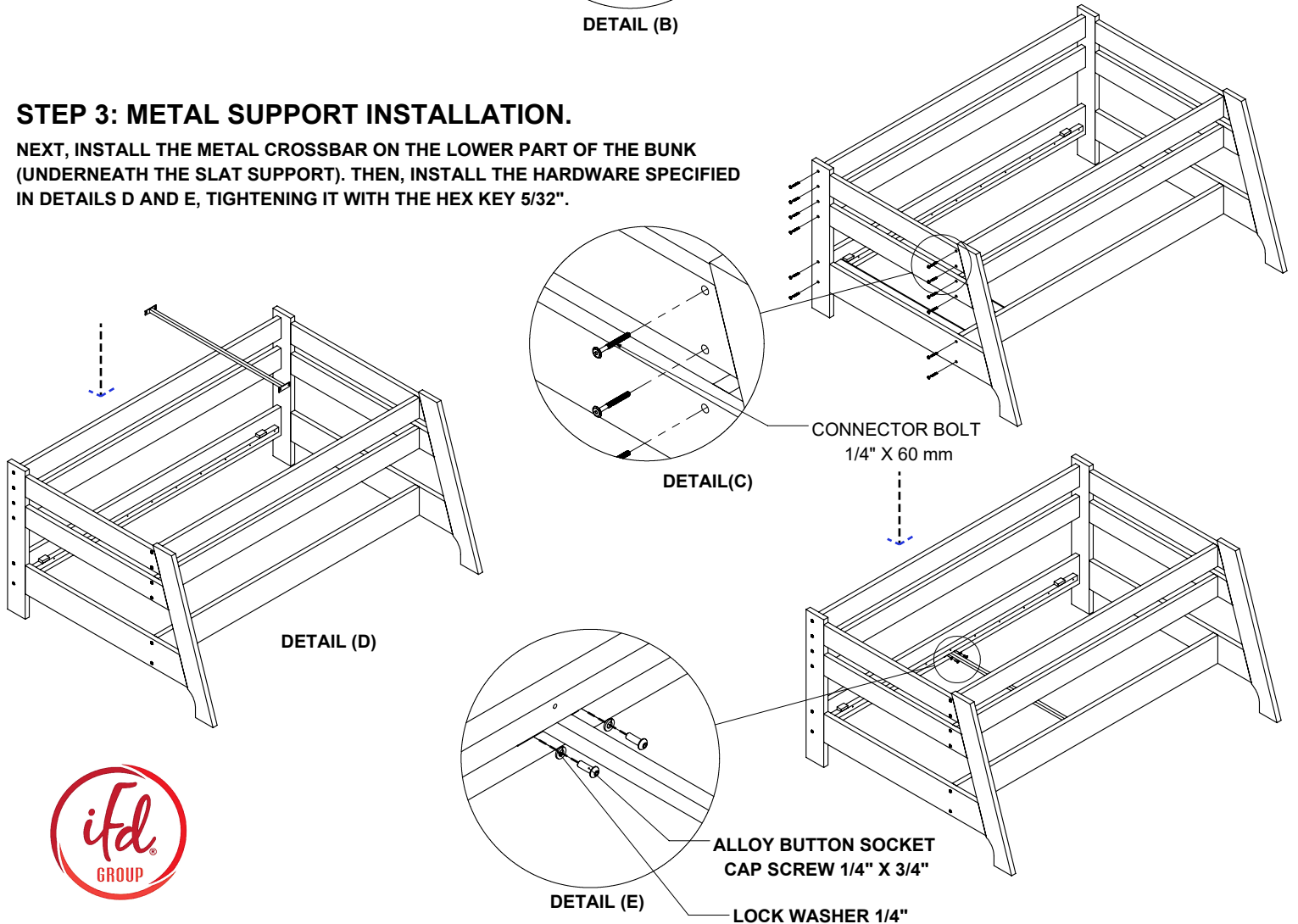


## STEP 2: SCREW INSTALLATION.

ALIGN THE SIDE RAILS WITH THE FOOTBOARD HOLES. SECURE USING CONNECTOR BOLTS 1/4" X 60 mm. AS SHOWN IN DETAIL C.

## STEP 3: METAL SUPPORT INSTALLATION.

NEXT, INSTALL THE METAL CROSSBAR ON THE LOWER PART OF THE BUNK (UNDERNEATH THE SLAT SUPPORT). THEN, INSTALL THE HARDWARE SPECIFIED IN DETAILS D AND E, TIGHTENING IT WITH THE HEX KEY 5/32".



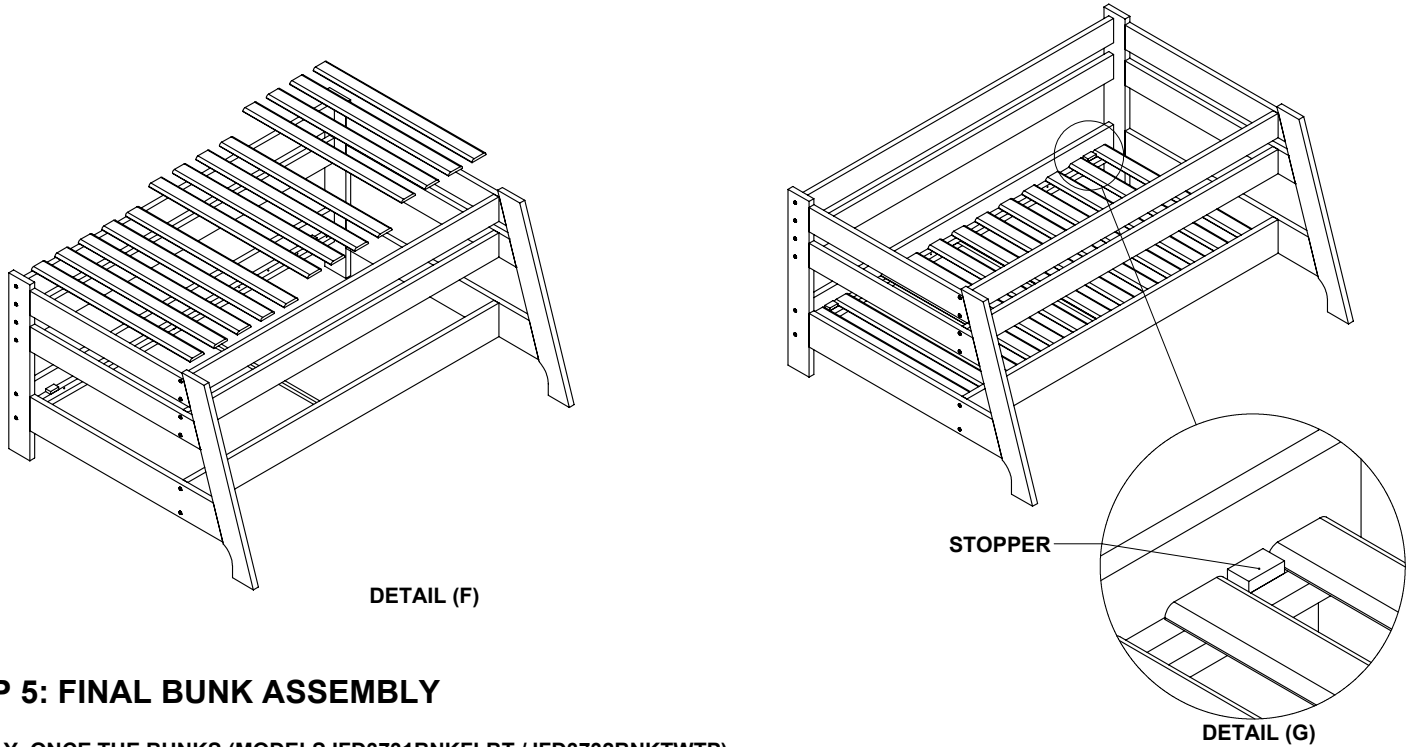
IFD3732BNKTWTP

# ASSEMBLY INSTRUCTIONS

THE IMAGES ARE FOR REFERENCE ONLY

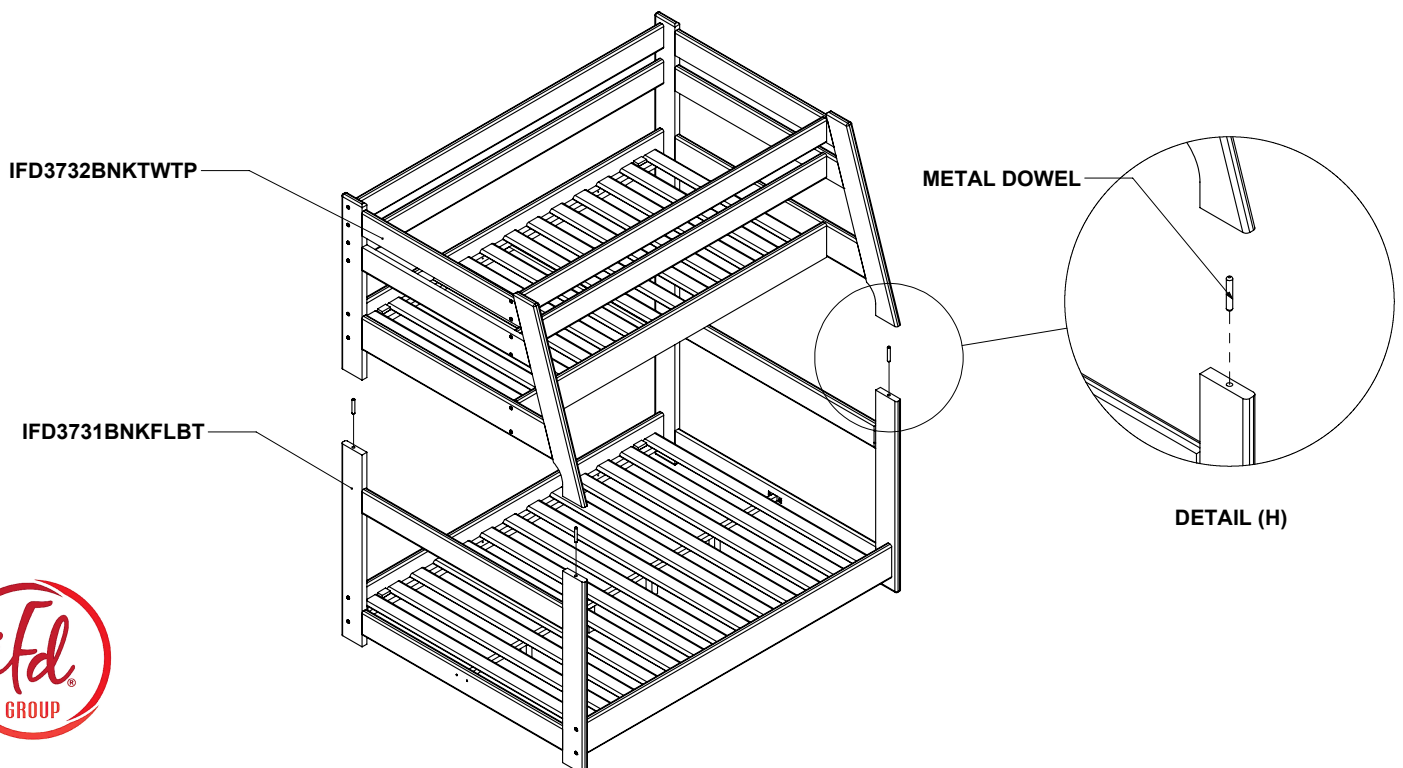
## STEP 4: INSTALLING THE SLATS.

LOCATE THE STOPPERS ON THE SIDE RAILS. PLACE THE SLATS EVENLY BETWEEN THE STOPPERS AS SHOWN IN DETAILS F AND G. SECURE IF NECESSARY., AS SHOWN IN DETAIL F AND G.



## STEP 5: FINAL BUNK ASSEMBLY

FINALLY, ONCE THE BUNKS (MODELS IFD3731BNKFLBT / IFD3732BNKTWTP) ARE ASSEMBLED, WORK WITH A HELPER TO ENSURE THE METAL PINS ARE INSERTED INTO THE HOLES OF THE LOWER BUNK. THEN, LIFT AND PLACE THE UPPER BUNK, ALIGNING IT WITH THE LOWER UNIT. DONE!



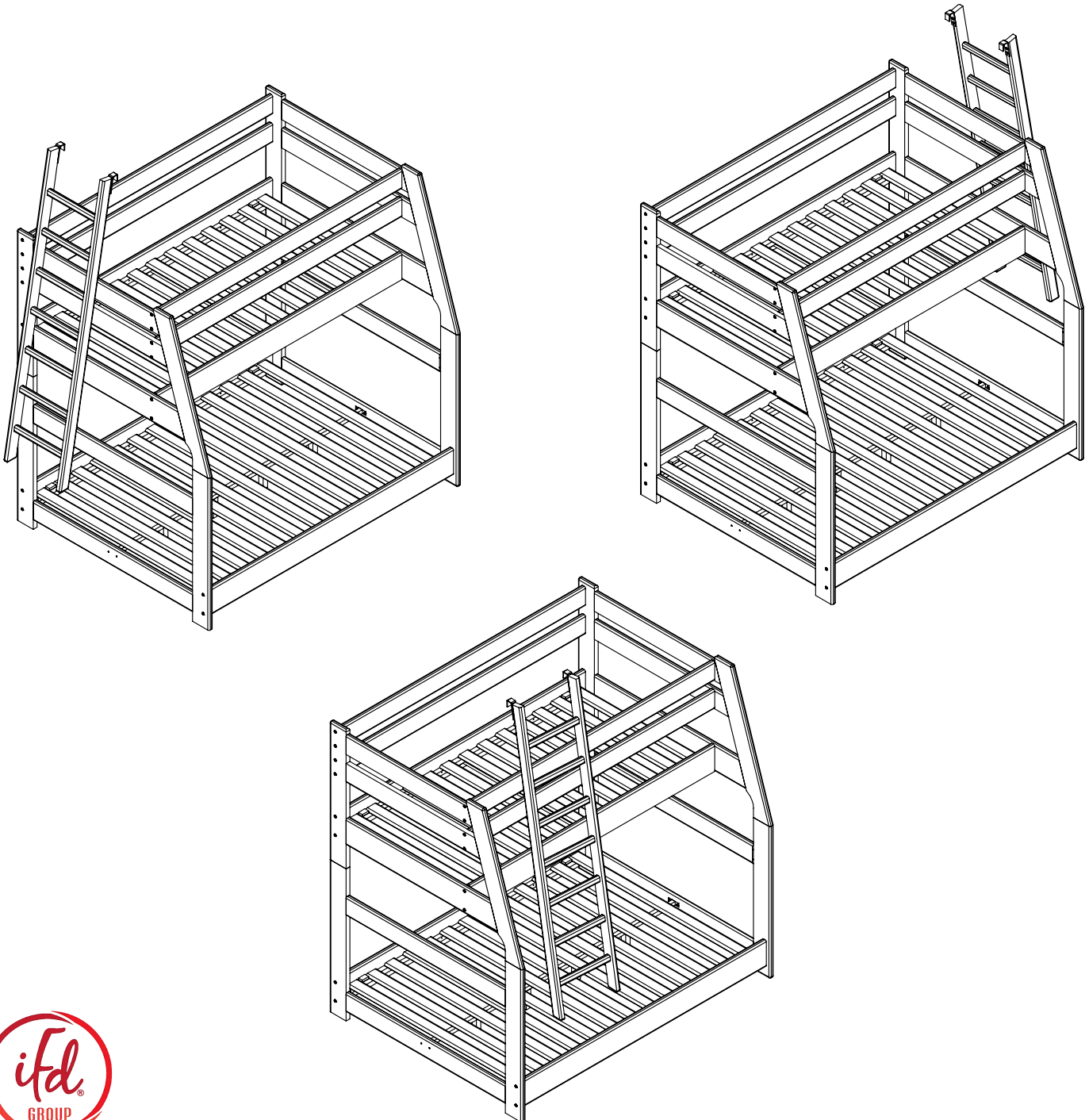
IFD3732BNKTWTP

# ASSEMBLY INSTRUCTIONS

*THE IMAGES ARE FOR REFERENCE ONLY*

## LADDER PLACEMENT

TO INSTALL THE LADDER, SIMPLY PLACE IT IN YOUR PREFERRED POSITION (LEFT, RIGHT, OR FRONT).  
PLEASE NOTE THAT THE LADDER IS FREESTANDING AND IS NOT ATTACHED  
TO THE BED, AS SHOWN IN THE FIGURES BELOW.



IFD3732BNKTWTP

# ASSEMBLY INSTRUCTIONS

IFD3731BNKFLTP	
ITEM	#
CONNECTOR BOLT 1/4" X 60 mm	24
DOWEL 10 X 50 mm	24
ALLOY BUTTON SOCKET CAP SCREW 1/4" X 3/4"	8
LOCK WASHER 1/4"	8
HEX KEY 5/32"	1

IFD3731BNKFLBT	
ITEM	#
CONNECTOR BOLT 1/4" X 60 mm	8
DOWEL 10 X 50 mm	8
ALLOY BUTTON SOCKET CAP SCREW 1/4" X 3/4"	4
LOCK WASHER 1/4"	4
HEX KEY 5/32"	1

IFD3731BNKTWTP	
ITEM	#
CONNECTOR BOLT 1/4" X 60 mm	24
DOWEL 10 X 50 mm	24
ALLOY BUTTON SOCKET CAP SCREW 1/4" X 3/4"	4
LOCK WASHER 1/4"	4
HEX KEY 5/32"	1

IFD3731BNKTWBT	
ITEM	#
CONNECTOR BOLT 1/4" X 60 mm	8
DOWEL 10 X 50 mm	8
HEX KEY 5/32"	1

IFD3732BNKTWTP	
ITEM	#
CONNECTOR BOLT 1/4" X 60 mm	24
DOWEL 10 X 50 mm	24
ALLOY BUTTON SOCKET CAP SCREW 1/4" X 3/4"	4
LOCK WASHER 1/4"	4
HEX KEY 5/32"	1

## WARNING / SAFETY GUIDELINES

- **MATTRESS SIZE:** USE ONLY A MATTRESS THAT IS 74" - 75" LONG AND 37½" - 38½" WIDE ON THE UPPER AND LOWER BUNKS. THE MATTRESS ON THE UPPER BUNK MUST NOT EXCEED [VERIFICAR: 6 O 8] INCHES IN THICKNESS. ENSURE THE TOP SURFACE OF THE MATTRESS IS AT LEAST 5 INCHES (127 mm) BELOW THE UPPER EDGE OF THE GUARDRAILS.
- **AGE RESTRICTION:** NEVER ALLOW A CHILD UNDER 6 YEARS OF AGE TO SLEEP OR PLAY ON THE UPPER BUNK.
- **STRANGULATION HAZARD:** NEVER ATTACH OR HANG ITEMS TO ANY PART OF THE BUNK BED THAT ARE NOT SPECIFICALLY DESIGNED FOR USE WITH THE BED; FOR EXAMPLE, BUT NOT LIMITED TO, HOOKS, BELTS, STRINGS, CORDS, AND JUMP ROPES.
- **FALL HAZARD:** ALWAYS USE THE PROVIDED LADDER FOR ENTERING AND LEAVING THE UPPER BUNK.
- **GUARDRAILS:** ALWAYS USE GUARDRAILS ON BOTH LONG SIDES OF THE UPPER BUNK. IF THE BUNK BED WILL BE PLACED NEXT TO A WALL, THE GUARDRAIL THAT RUNS THE FULL LENGTH OF THE BED MUST BE PLACED AGAINST THE WALL TO PREVENT ENTRAPMENT BETWEEN THE BED AND THE WALL.
- **HORSEPLAY:** PROHIBIT HORSEPLAY ON OR UNDER THE BED(S) AND STRICTLY PROHIBIT JUMPING ON THE BED.
- **REPLACEMENT PARTS:** REPLACEMENT PARTS, INCLUDING ADDITIONAL GUARDRAILS, MAY BE OBTAINED FROM THE MANUFACTURER OR DEALER. DO NOT USE SUBSTITUTE PARTS.
- **WARNING LABELS:** FOLLOW THE INFORMATION ON THE WARNINGS APPEARING ON THE UPPER BUNK END STRUCTURE AND ON THE PACKAGING. DO NOT REMOVE THE PERMANENT WARNING LABEL FROM THE BED.

